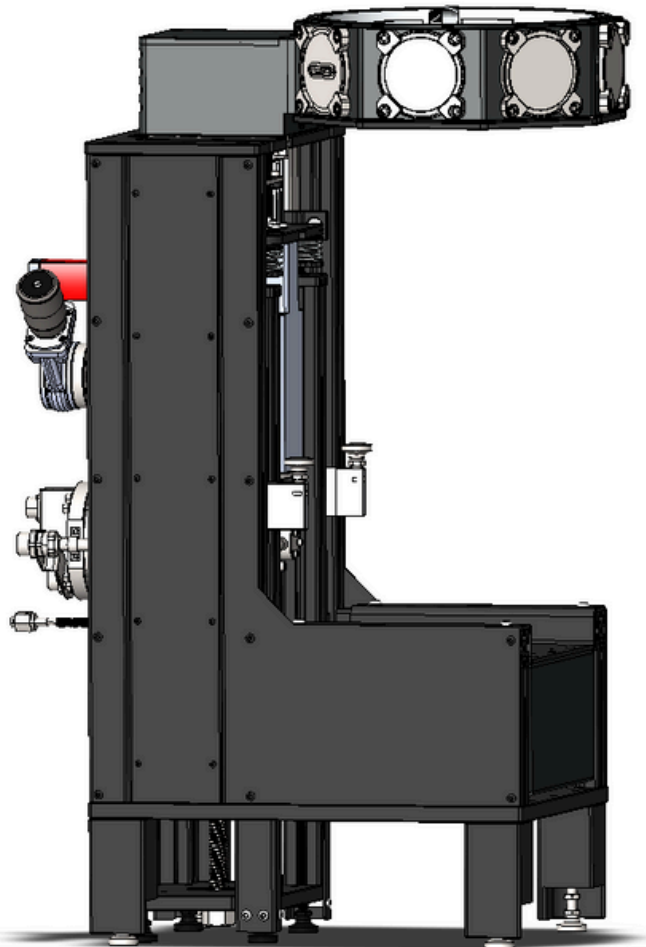


UHV Low Vibration Optical Cryostat

The SideKick is an ultra-high vacuum, ultra-low vibration, sub 4K cryostat that removes the cryocooler clutter from your table and provides access to your experiment from all sides. The cryogenic workspace is mounted to your existing table like other optical elements. It connects with a highly flexible bellows column to the cryo-cooler and mechanical pumps, which are referenced off the lab floor to separate pump vibrations from your sample and optics. The sample space environment uses low outgassing materials only and if you choose to bake the chamber, you can expect $< 1\text{E}-8$ torr before cooldown and $1\text{E}-11$ torr once cold.



SideKick Specifications

- Differentially pumped vacuum seals for ultra-high vacuum performance.
- Only UHV rated low outgassing materials used in cryostat construction.
- Large cold platform - Ø200mm X 100mm standard cold space, larger option available.
- Plenty of optical access via windows or fibers. 9 windows available, 8 horizontal, 1 vertical.
- 24DC connections available to user included, integrated and heat sunk at 4K cold plate.
- Six industry standard ISO63 panels may be used for interfacing additional RF, DC, fiber optics, or gas tubes.
- Integrated temperature sensors and heaters on 1st Stage, 2nd Stage, cold plate, and radiation shield/sample.
- Integrated turbo pump, roughing pump, and full-scale pressure gauge.
- Floor mounted vibration isolation pillar at optical table edge. Accommodates table thicknesses of 12-37"

